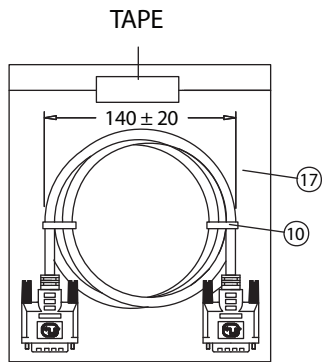
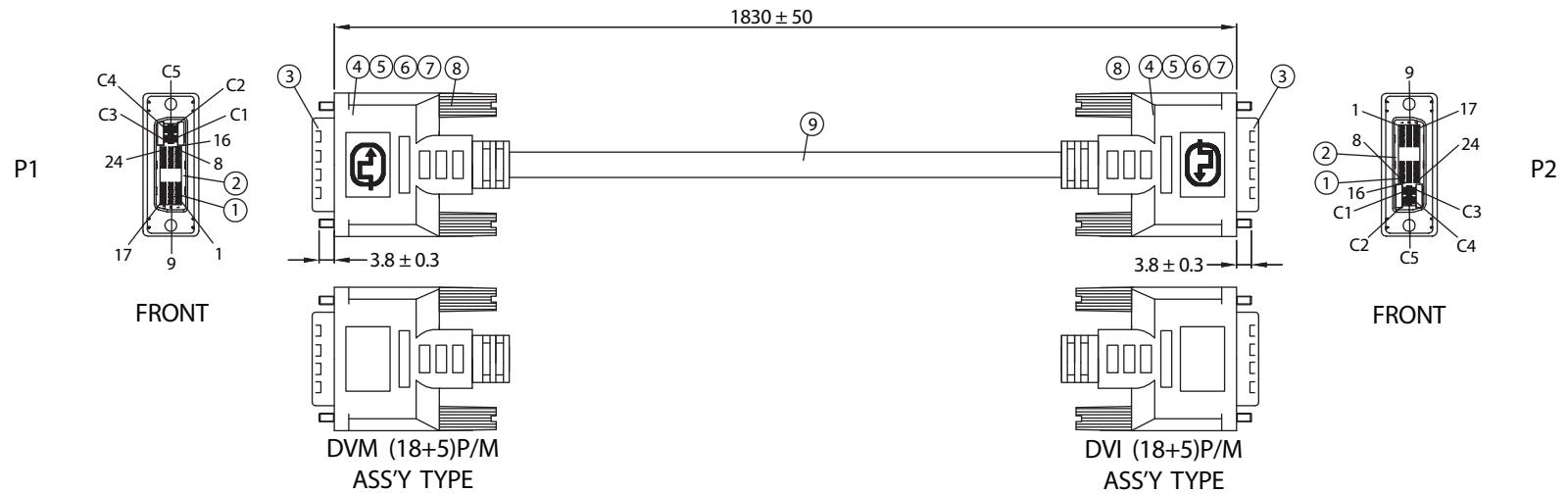


REVISION			
REV.	DESCRIPTION	DATE	APPROVED



PIN OUT	
P1	P2
1 WHITE	14 RED
2 ORANGE	15 BLACK
3 DRAIN	16 BROWN
6 WHITE	17 WHITE
7 YELLOW	18 YELLOW
8 BLUE	19 DRAIN
9 WHITE	23 WHITE
10 BLACK	24 RED
11 DRAIN	22 DRAIN
	SHELL BRAID SHELL

No.	PARTS NAME	SPECIFICATION STANDARD	QTY	REMARKS
①	DVI (18+5)P/M - CONTACT	BRONZE/GOLD PLATED SOLDER TYPE	46	MAIN SUPER OR EQUIV
②	DVI (18+5)P/M - INSULATOR	THERMOPLASTIC/BLACK UL94V-0	2	
③	DVI (18+5)P/M - SHELL	STEEL NICKEL PLATED	2	
④	COPPER FOIL	WIDTH: 8mm	2	
⑤	CAN	STEEL TIN PLATED ID: 9.0mm	2	
⑥	OUTER COVER	45P PVC/BLACK ID: 9.0mm	2	
⑦	THUMB SCREW	#4-40 2.8x45, NICKEL PLATED	4	
⑧	SCREW-MOLD	35P PVC, COLOR: BLACK	4	
⑨	CABLE DVI 18+5 UL20276	KL03008ABK01A	1	
⑩	MINI TIE	PE/BLACK	2	
⑪	POLYBAG	PE/0.08x200x250	1	

NOTES:

1. CABLE:

(28AWGx1P+DW+FOIL)x4P+(28AWG+SP+FOIL)x3C+28AWGx5C+28AWGx1P+MYLAR+FOIL+BD
 OUTER JACKET COLOR: BLACK, OD: 8.5 ± 0.3mm
 PRINTING: "E166307 AWM 20276 28AWG 80°C 30V VW-1
 LOW VOLTAGE COMPUTER CABLE"

2. CONNECTORS: DVI (18+5)P/M - DVI (18+5)P/M

3. HOOD: ASS'Y TYPE

4. CABLE ELECTRICAL TEST:

<1>. 100% OPEN SHORT & MISS WIRE TEST

<2>. INSULATION RESISTANCE: DC400V 10M ohm MIN.

<3>. CONDUCTOR RESISTANCE: 3 ohm MAX.

5. PACKING: 1PC/POLYBAG

Dim range (mm)	Tolerance +/- (mm)	Qualtek Electronics Corp. WCT DIVISION		
		Part Number:	1321015-06	RoHS Compliant
0-1	0.15	Description: DVI (18+5)P/M - DVI (18+5)P/M		
1-6	0.20			
6-18	0.30			
18-50	0.50			
50-120	0.70			
120-250	0.90	Drawn / Date	Checked / Date	Approved / Date
250-500	1.20	B.Grubb 01-02-07	01-02-07	JJH / 01-02-07